



## KR 3 R540



### Technical data

Maximum reach	541 mm
Maximum payload	3 kg
Pose repeatability (ISO 9283)	± 0.02 mm
Number of axes	6
Mounting position	Floor; Ceiling; Wall
Footprint	179 mm x 179 mm
Weight	approx. 26.5 kg

### Axis data

Motion range	
A1	±170 °
A2	-170 ° / 50 °
A3	-110 ° / 155 °
A4	±175 °
A5	±120 °
A6	±350 °

### Operating conditions

Ambient temperature during operation: -5 °C to 45 °C (278 K to 318 K)

### Protection rating

Protection rating (IEC 60529)	IP40
Protection rating, in-line wrist (IEC 60529)	IP40

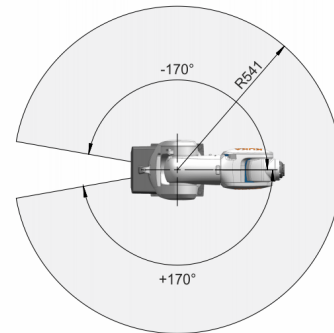
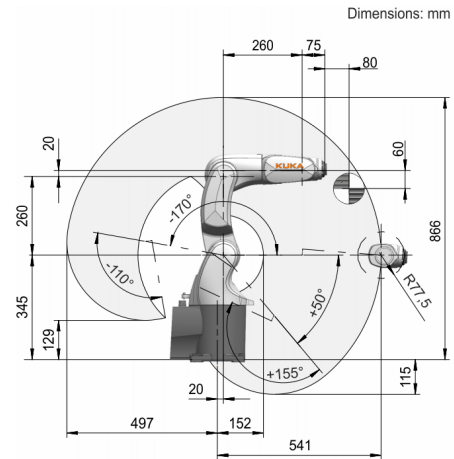
### Control

Controller	KR C4 compact
------------	---------------

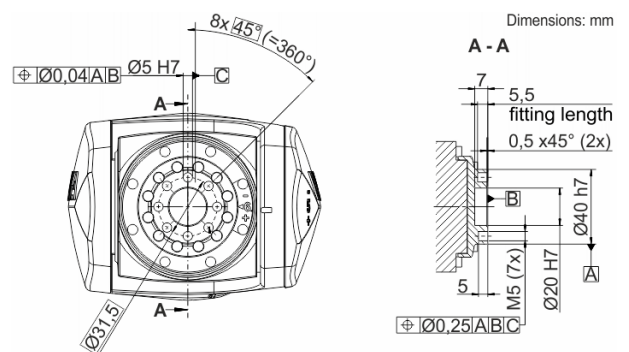
### Teach pendant

Teach pendant	KUKA smartPAD
---------------	---------------

### Workspace graphic



### Mounting flange



### Cycle time

167 cycles per minute (25 mm / 305 mm / 25 mm, 1 kg)

